



RHL6R-ICAT
6" IC Air-tight
Remodel LED Housing

PROJECT: _____

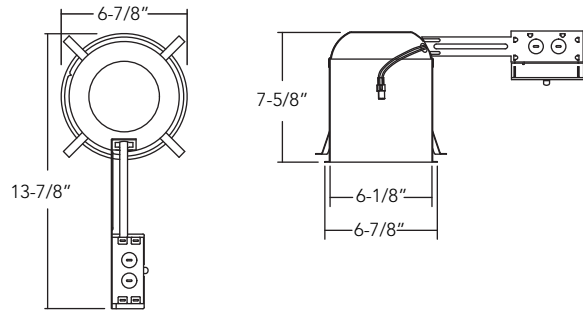
MODEL #: _____

LOCATION: _____

CONTACT: _____



DIMENSIONS



USE OF PRODUCT

The RHL6R-ICAT is the ideal product for general purpose recessed LED housing for residential, commercial, hospitality, health care, restaurant and retail applications.

CONSTRUCTION

- Minimum Clearance Rated for IC/ Non - IC application. "IC" or insulated ceiling housings are rated for direct contact with insulation. No minimum clearance is required.
- Ceiling Thickness Up to 1 1/4".
- Junction Box Junction box is listed for through branch circuit wiring and contains seven 7/8 knockouts and four ROMEX pryouts with Romex cable clamp. Ground wire provided on J-Box.
- Remodel Frame Galvanized steel construction
- Connection Quick connect provided for easy connection to REC Series LED module to meet non-screw base socket requirements per California Title 24.

LABELS/COMPLIANCE

cUL listed
Certified under ASTM-283 for Air-Tight Construction
Title 24 Compliant



6" IC Air-Tight Remodel LED Housing

ORDERING INFO

RHL6R-ICAT

Series

RHL6R-ICAT - 6" IC Air-Tight Remodel LED Housing



www.rayonlighting.com
info@rayonlighting.com

tel: 323.446.2626
fax:323.446.2606

Specification and product availability
subject to change without notice